

BLUE GIANT®

LOMASTER™ DOCK LIFT

**NEXT
GEN**



Quality construction and loading versatility.
5,000 to 20,000 lb (2,267 to 9,072 kg) rated capacities.

**MODEL - DL
STATIONARY**



A
Bevel Toe Guards Under Deck
 Optional electric toe guard and accordion for enhanced protection.

B
Dual Personnel Restraint Chains
 Gates: swing or boom to keep personnel safe by selecting the gate option for your needs and implementation.

C
Optional Spring Assisted Lips
 Reduces the manual force required to raise or lower the lip into position. Lip lengths up to 42".

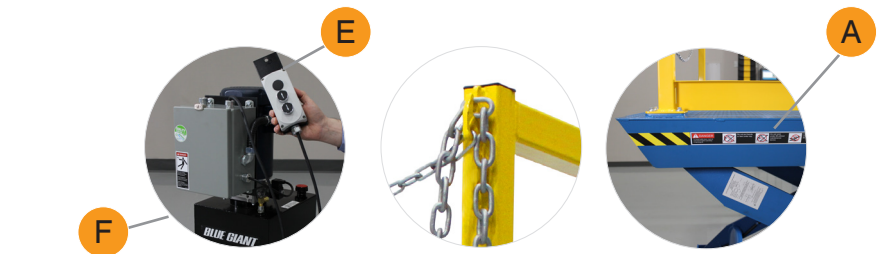
D
Scissor Support Legs
 Made from solid steel plate for maximum rigidity.

E
Hand-Held Push Button Control
 24V push button (up/down) control with 16' standard straight cord.

F
Hydraulic Power Pack
 Pre-wired with control and hand-held push button pendant. No hidden hook-up costs.

G
Powder Coat Surfaces
 Prolong the life of your dock lift with our unique weather proof powder coating system.

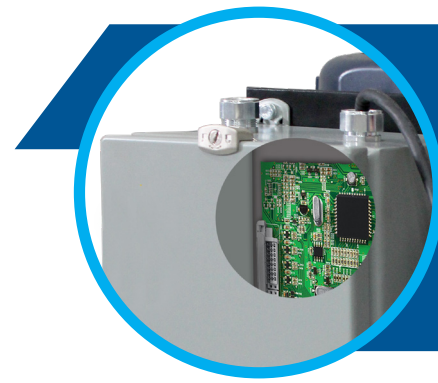
H
Bolt on Steel Guardrail
 OSHA compliant 42" (1,066mm) high bolt on steel guardrail comes with mid rail and 4" (102mm) kick plate.



OVERVIEW +FEATURES

EASY TO OPERATE

- Hand-held 24V push button control with 16' (4.87m) straight cord
- Remote powerpack with 12' (3.65m) hydraulic hose (three-phase, common voltages) and oil included
- Completely sealed, weather resistant cylinders vented back to hydraulic tank to prevent contaminant entry
- Factory pre-wired and tested (UL/CSA approved) motor, controls and push button



NEW
ADVANCED
CONTROL

STRUCTURAL INTEGRITY

- High tensile 18" long lip with full piano hinge
- Factory assembled and load tested
- Hard chromed pivot pins at cylinder and center pin
- All pivot points feature maintenance-free lifetime lubricated bushings
- Full length steel deck beam for maximum support
- Solid plate steel legs for maximum rigidity
- Rolling load capacity up to 100% on ends

MAGNETIC
SWITCH



BUILT FOR SAFETY

- Hydraulic pump with built-in overload relief
- Up-travel limit switch
- 8" (203mm) tapered toe guard protection
- OSHA compliant 42" (1,066mm) high bolt on steel guardrail comes with mid rail and 4" (102mm) kick plate
- Precision safety velocity fuses on hydraulic cylinders to prevent platform free-fall
- Dual mechanical flip-down maintenance stops
- Standard diamond plate and powder coat grit finish on deck and lip reduces the likelihood of slipping in wet conditions

ROBUST
DESIGN



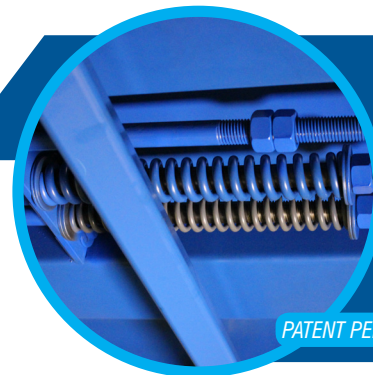
INNOVATION AND QUALITY

- Motion Indicating:
 - Horn
 - Flashing amber beacon light
- Interlock swing gates
- Electric toe guard with magnetic switch

SWING GATES
WITH
INTERLOCK



ADVANCED
SPRING ASSIST



PATENT PENDING

INNOVATIVE APPROACH

- Reduce the manual force required to operate
- Compression spring assist system eliminates aluminum lip
- Easy spring calibration avoiding lip dismantling
- Full piano hinge for extra structural support
- Undermount springs not directly exposed to wear and tear and environmental factors

DESIGN

Stationary Dock Lift Specifications - 5HP @ 3.8 GPM

Deck Length	Rated Capacity lb*	Lowered Height	Vertical Travel	Raised Height	Lift Time† (Sec)
96"	5,000 & 6,000#	10"	59"	69"	26
	8,000	12"	59"	71"	57
	10,000	14"	59"	73"	57
	12,000 & 15,000	14"	57"	71"	57
	20,000	21"	57"	78"	57
108"	5,000	12"	59"	71"	29
	6,000 & 8,000	12"	59"	71"	57
	10,000 & 12,000	14"	59"	73"	57
	15,000 & 20,000	21"	59"	80"	83
120"	5,000 & 6,000	12"	59"	71"	42
	8,000	12"	59"	71"	64
	10,000 & 12,000	14"	59"	73"	64
	15,000 & 20,000	21"	58"	79"	83
144"	5,000	12"	59"	71"	47
	6,000 & 8,000	12"	59"	71"	93
	10,000 & 12,000	14"	59"	73"	93
	15,000 & 20,000	21"	59"	80"	93

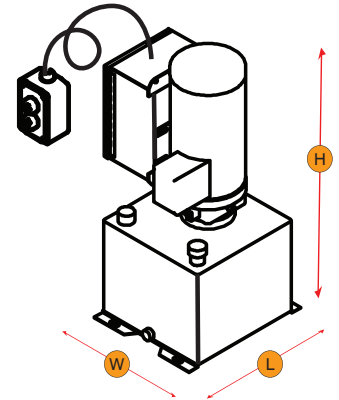
Available width: 72", 84", and 96" as standard. Consult for all custom sizes. 60" is available on 96" and 108" lengths.

#100% Rated Capacity



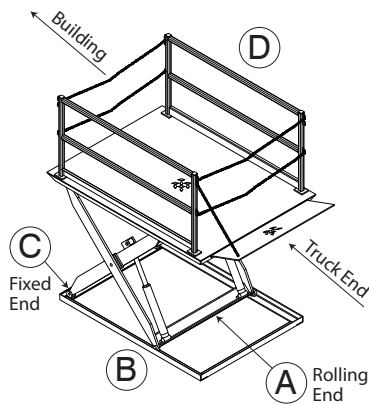
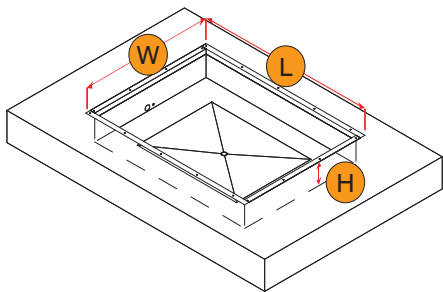
Powerpack Specifications/Dimensions

Std. Powerpack	GPM	Lift Time Conversion†	Length	Width	Height	Shipping Weight
3 HP	1.9	multiply lift time by 2	15" (385 mm)	15" (385 mm)	26" (660 mm)	55 lb (25 kg)
5 HP	3.8	see chart†	15" (385 mm)	17" (431 mm)	28" (711 mm)	70 lb (32 kg)
7.5 HP	5	multiply lift time by 0.76	22" (558 mm)	24" (609 mm)	30" (762 mm)	175 lb (80 kg)
10 HP	7	multiply lift time by 0.52	22" (558 mm)	24" (609 mm)	32" (812 mm)	200 lb (91 kg)



Model Number Ordering Format: Model Capacity - Width X Length - Lowered Height

Sample Model Number: DL6 - 72 X 96 - 10



* Capacities are based on evenly distributed loads. Single axle rolling load capacity is 80% of rated capacity across the ends and 50% of rated capacity across the sides - based on model.

† Nominal lift time with rated load - based on factory test conditions.

Note: Consult factory for custom sizes and capacities.

All dock lifts come with 18" (457 mm) long x 60" (1,524 mm) wide lip on rolling end.

LoMaster™ dock lifts are backed by an industry leading warranty and comply to ANSI MH29.1 standards. Motor, controls, push button factory pre-wired and tested (UL/CSA approved)

OPTIONS

- Electric toe guard protection
- Accordion safety skirting
- Mechanical pop-up run-off guard
- Low temperature oil
- Immersion heater for oil reservoir
- Key switch on push button
- Push button on coil cord
- Deck mounted push button control
- Lip: Split, hydraulic, spring assist, extended length, multiple

COLOUR SELECTIONS



FINISH OPTIONS

- Enriched zinc powder deck / lip
- Custom colours

Corporate 410 Admiral Blvd
Mississauga, ON, Canada L5T 2N6
905.457.3900 f 905.457.2313

USA 6350 Burnt Poplar Road
Greensboro, NC 27409
www.bluegiant.com

Blue Giant offers a full line of dock levelers, dock safety equipment, seals and shelters, accessories, ergonomic and scissor lift equipment and industrial trucks. Concurrent with our continuing product improvement program, specifications are subject to change without notice. Please contact Blue Giant for latest information. Some features illustrated may be optional.

If calling within North America: t 1.800.872.2583 f 1.888.378.5781

DL-HYD-092919 © Copyright Blue Giant Equipment Corporation 2019