

Cable Cubby 1200 Cable Cubby 1400

SERIES/2 CABLE ACCESS
ENCLOSURES FOR
AV CONNECTIVITY & AC POWER

Elegant Cable Management Solutions
for High-Profile Environments

- ▶ Accommodates AC power outlets, Retractors, AV cables, and AAP - Architectural Adapter Plates
- ▶ Patent-pending modular design for fast assembly and serviceability
- ▶ Retractor bracket holds three Retractor or Retractor XL cable retraction modules
- ▶ Connectivity bracket supports up to eight AV cables or three AAPs
- ▶ AC Power and AC+USB Power Modules are available for US, Europe, and other major world markets
- ▶ Top surface is available in a black anodized or brushed aluminum finish



Extron Electronics
INTERFACING, SWITCHING AND CONTROL

Introduction

The Extron **Cable Cubby® Series/2** is the next generation of Cable Cubby cable access enclosures for AV connectivity and AC power. These durable, furniture-mountable enclosures are available in two sizes and feature a compact, unobtrusive design that is ideal for use on surfaces where space is at a premium.

The **Cable Cubby 1200** accommodates AC power outlets and up to three Retractors, eight AV cables, or three AAP - Architectural Adapter Plates. Its slim enclosure is ideal for conference tables, desks or study carrels, lecterns, and other work environments where space is at a premium.

The **Cable Cubby 1400** is a double-sided enclosure that accommodates AC power outlets and up to three Retractors, eight AV cables, or three AAP - Architectural Adapter Plates on each side of the enclosure. It is ideal for use in applications where a centrally located enclosure is required to provide convenient access to AV connectivity and AC power from either side of a table or other work surface.

For fast installation, Cable Cubby 1200 and Cable Cubby 1400 enclosures feature a simple, integrated clamp system that quickly secures the enclosure to the furniture surface without the need for

additional parts or tools. The enclosures are also equipped with lid dampers for smooth, quiet operation.

A patent-pending modular design allows cables and AAPs to be installed or serviced from the top of the enclosure after it is installed. The Cable Pass-Through Bracket features a unique, split-ring design that facilitates cable installation while eliminating the need for separate cable grommets. The enclosures are available in a black anodized or brushed aluminum finish to blend seamlessly with modern furniture and room decor.

AC Power Modules are available for the US, Europe, and other major world markets.

Most **AC 100 Series** AC Power Modules provide two unswitched AC outlets. An available Multi-Region AC outlet is compatible with a variety of AC plug types. To support smartphones and tablets in AV presentation environments, the optional **AC 200 Series** AC+USB Power Modules provide one or two AC power outlets, and two 5 VDC USB power outlets with 2.1 A / 10.5 watts of total power for charging mobile devices such as smartphones and tablets. Cable Cubby Series/2 enclosures are UL/c-UL listed and CE compliant. Installation routing templates and other accessories are also available.



Building Your Cable Cubby Enclosure

Cable Cubby Series/2 enclosures are available in two versions: Cable Cubby 1200, a slim enclosure ideal for work environments where surface space is limited; and Cable Cubby 1400, a compact double-sided enclosure for applications in which AC power and AV connectivity must be located in the center of the work area for access by multiple users. Both versions are available in a black anodized or brushed aluminum finish, and include standard brackets for mounting Retractor or Retractor XL cable retraction modules, AAPs, or AV cables. Routing templates and other installation accessories are available separately.



Cable Cubby 1200



Cable Cubby 1400

MODEL	VERSION DESCRIPTION	PART #
Cable Cubby 1200	Black-with US AC Power Module	60-1397-02
Cable Cubby 1200	Black-AC Power Module Not Included	70-1037-02
Cable Cubby 1200	Brushed Aluminum-AC Power Module Not Included	70-1037-08
Installation Routing Template	Routing Template for Cable Cubby 1200	70-1041-80
Cable Cubby 1400	Black-with US AC Power Modules	60-1398-02
Cable Cubby 1400	Black-AC Power Modules Not Included	70-1038-02
Cable Cubby 1400	Brushed Aluminum-AC Power Modules Not Included	70-1038-08
Installation Routing Template	Routing Template-Cable Cubby 1400	70-1042-80

Cable Cubby Builder

The Extron Cable Cubby Builder, available online at www.extron.com/cablecubbybuilder, is an interactive tool for customizing Cable Cubby 1200 and Cable Cubby 1400 enclosures. After selecting the Cable Cubby enclosure and finish, the Builder guides the user through the selection of AC power modules, AV connectivity, cables, and installation accessories. As you build your Cable Cubby, a bill of materials is prepared automatically. When you're finished, the Builder allows you to review your Cable Cubby and make any last minute changes before placing your order (dealer login required).

Cable Cubby Builder navigation is quick and convenient, using the Previous/Next arrows or the selection buttons on each screen. For more information about a Cable Cubby power option or accessory, click the "Learn More" link to launch the product page without ever leaving the Builder itself. For convenience, selections made for one side of a Cable Cubby 1400 enclosure are automatically mirrored on the other side of the enclosure. Your Cable Cubby configuration can be saved for later recall, or saved to PDF, Excel®, or as a PNG image file for inclusion in customer presentations and project documentation.

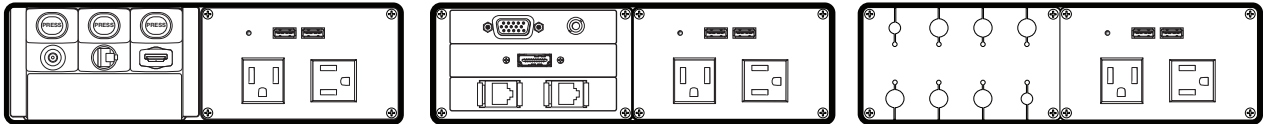


Building Your Cable Cubby Enclosure

The Cable Cubby 1200 and Cable Cubby 1400 feature a patent-pending modular design that supports AC power and brackets for mounting Extron Retractor or Retractor XL cable retraction modules, AAP - Architectural Adapter Plates, or up to eight AV cables.

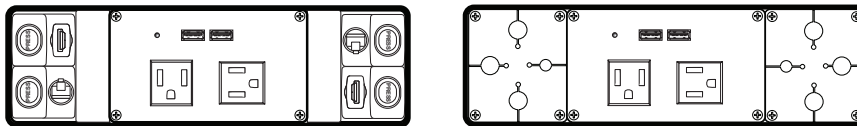
Included Brackets

The Cable Cubby 1200 includes standard brackets for mounting up to three Retractor modules, three AAPs, or up to eight AV cables. The AV connectivity brackets can be positioned to the left or right of the selected AC power module. The Cable Cubby 1400 includes two sets of brackets, one for each side of the enclosure.



Optional Brackets

For design flexibility, optional "Small" mounting brackets allow Retractors or AV cables to be mounted to the left and right of the selected AC power module. The brackets are sold in pairs; each bracket supports four AV cables or two Retractor modules.



MODEL	VERSION DESCRIPTION	PART #
Cable Bracket Kit – Small	Four AV cables per Bracket; Sold in Pairs	70-1040-01
Retractor Bracket Kit – Small	Two Retractors per Bracket; Sold in Pairs	70-1040-02

AC Power Modules

AC Power Modules are available with discrete AC power outlets for the US, Europe, and other major world markets. Most AC 100 Series modules are equipped with two unswitched AC outlets. AC+USB 200 Series power modules feature one or two unswitched AC power outlets, and two 5 VDC USB power outlets with 2.1 A / 10.5 watts of total power for charging mobile devices such as smartphones and tablets.



Cable Cubby AC 102 US



Cable Cubby AC+USB 222 US

MODEL	VERSION DESCRIPTION	PART #
AC 102 US	US Outlets	60-1385-01
AC 102 UK	UK Outlets	60-1385-02
AC 102 EU	Europe Outlets	60-1385-03
AC 102 AUS	Australia Outlets	60-1385-04
AC 102 SW	Switzerland Outlets	60-1385-05
AC 102 FR	France Outlets	60-1385-06
AC 102 IT	Italy Outlets	60-1385-07
AC 101 SA	South Africa Outlet	60-1385-08
AC 102 DK	Denmark Outlets	60-1385-09
AC 102 Multi	Multi-Region Outlets	60-1385-10

MODEL	VERSION DESCRIPTION	PART #
AC+USB 222 US	US Outlets	60-1384-01
AC+USB 212 UK	UK Outlet	60-1384-02
AC+USB 212 EU	Europe Outlet	60-1384-03
AC+USB 212 AUS	Australia Outlet	60-1384-04
AC+USB 212 SW	Switzerland Outlet	60-1384-05
AC+USB 212 FR	France Outlet	60-1384-06
AC+USB 212 IT	Italy Outlet	60-1384-07
AC+USB 212 DK	Denmark Outlet	60-1384-09
AC+USB 212 Multi	Multi-Region Outlet	60-1384-10

Overview

Patent-pending modular design

For fast assembly and serviceability, AV connectivity can be installed or serviced from the top of the enclosure, after it is installed.

Slim enclosure

Compact enclosures are ideal for conference tables, desks or study carrels, lecterns, and other work surfaces where space is at a premium.

Choice of AC-only or AC+USB Power Modules

AC-only or AC+USB Power Modules are available for the US, Europe, and other major world markets. The available AC+USB modules feature two 5 VDC USB power outlets and up to 2.1 A / 10.5 watts of power for charging mobile devices.

AV connectivity

Enclosures include brackets for mounting Retractor or Retractor XL cable retraction modules, AAP - Architectural Adapter Plates, or AV cables to the left or right of the AC module. Optional bracket kits allow the AC power module to be mounted in the center of the enclosure for additional flexibility in configuring AV connectivity.

Cable Cubby 1200

Choice of black anodized or brushed aluminum finish

The top surface of Cable Cubby enclosures is designed to blend seamlessly with modern furniture and room decor.

Low profile lid with full width cable pass-through

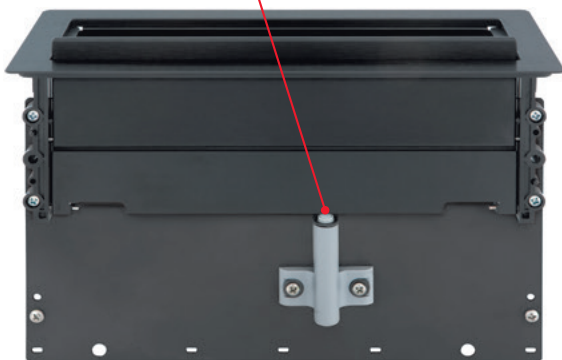
Provides convenient access to AV cables and AC power, whether open or closed.

Integrated lid damper

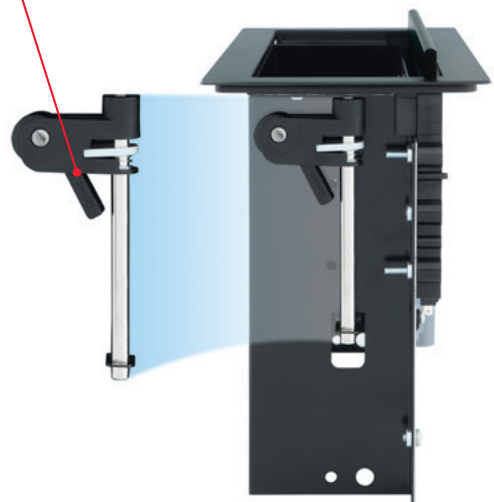
Lid dampers provide smooth, quiet operation, gently easing the lid into its open position.

Integrated side clamps

A unique clamp mechanism secures the enclosure to the furniture surface without the need for tools or additional parts. Simply swivel the clamp into position and lock it in place.



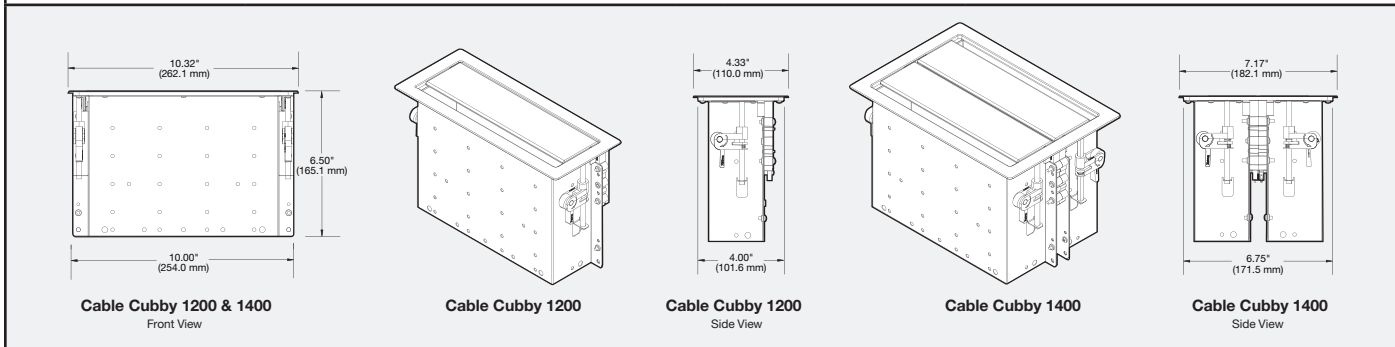
Cable Cubby 1200



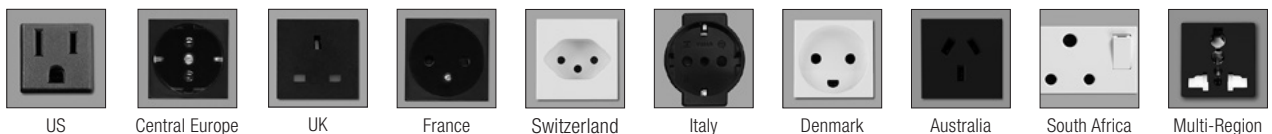
Specifications

Cable Cubby 1200		Cable Cubby 1400	
Mounting Furniture mount	Yes	Mounting Furniture mount	Yes
Min./Max. table thickness	0.50" to 2.50" (1.3 to 6.4 cm)	Min./Max. table thickness	0.50" to 2.50" (1.3 to 6.4 cm)
Enclosure type	Metal	Enclosure type	Metal
Enclosure dimensions Top plate (outer rim) Surface cutout (inside rim) Enclosure Depth	10.32" W x 4.33" D (26.21 cm W x 11.00 cm D) 10.00" W x 4.00" D (25.40 cm W x 10.16 cm D) 6.50" H (16.51 cm H)	Enclosure dimensions Top plate (outer rim) Surface cutout (inside rim) Enclosure Depth	10.32" W x 7.17" D (26.21 cm W x 18.21 cm D) 10.00" W x 6.75" D (25.40 cm W x 17.14 cm D) 6.50" H (16.51 cm H)
Product weight	6.9 lbs (3.1 kg)	Product weight	10.2 lbs (4.6 kg)
Shipping weight	7 lbs (4 kg)	Shipping weight	11 lbs (5 kg)
Vibration	ISTA 1A in carton (International Safe Transit Association)	Vibration	ISTA 1A in carton (International Safe Transit Association)
Regulatory compliance Safety	CE, c-UL, UL	Regulatory compliance Safety	CE, c-UL, UL
Warranty	3 years parts and labor	Warranty	3 years parts and labor

For complete specifications, please go to www.extron.com
Specifications are subject to change without notice.



AVAILABLE POWER MODULES



Worldwide Sales Offices

Anaheim • Raleigh • Silicon Valley • Dallas • New York • Washington, DC • Toronto • Mexico City • Paris • London • Frankfurt
Amersfoort • Moscow • Dubai • Johannesburg • New Delhi • Bangalore • Singapore • Seoul • Shanghai • Beijing • Tokyo

UNITED STATES

+800.633.9876
Inside USA/Canada
+1.714.491.1500

EUROPE

+800.3987.6673
Inside Europe
+31.33.453.4040

ASIA

+800.7339.8766
Inside Asia
+65.6383.4400

MIDDLE EAST

+971.4.299.1800